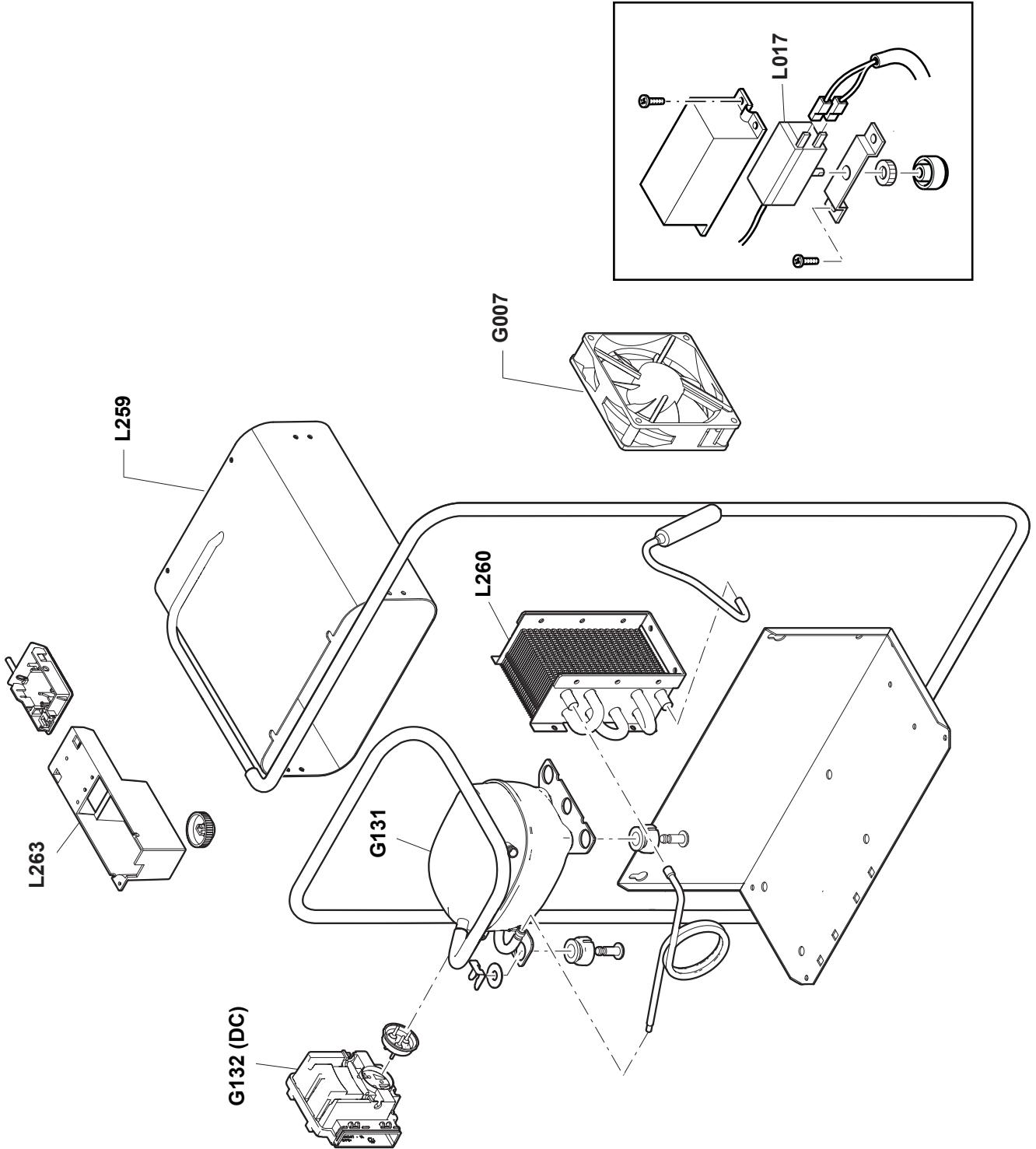




INDEL B P/N	DESCRIPTION
G1620	Handle
L245	Door (with balcony)
L250	Balcony
L251	Metal Retainer
L252	Evaporator Door
L253	Ice cube container
L254	Drip Tray
L255	Upper Hinge
L256	Lower Hinge
L257	Left Feet
L258	Grid
L261	Top
L262	Evaporator Frame





INDEL B P/N	DESCRIPTION
G007	Fan
G131	Compressor
G132	ECU
L017	Thermostat
L259	Evaporator
L260	Condenser
L263	Ceiling Light